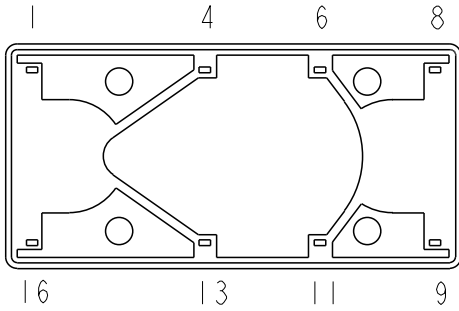
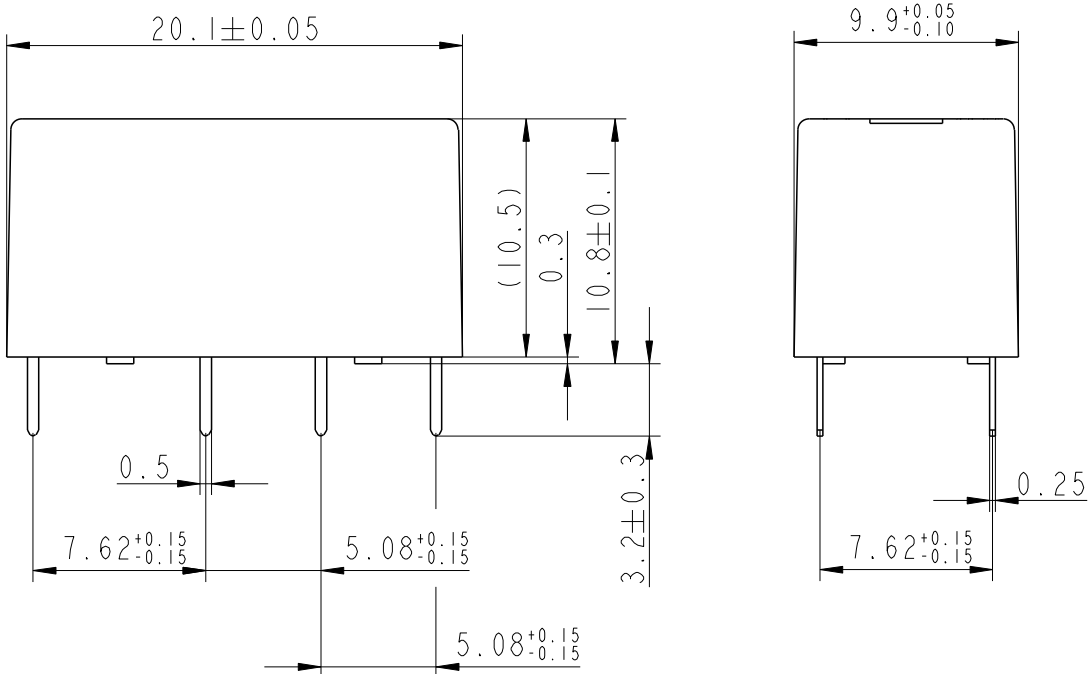


LOC	DIST	REVISIONS					
		P	LTR	DESCRIPTION	DATE	DWN	APVD
HJ	-		A7	Revised relay dimensions	06Sep2012	MV	PH
			A8	ECR-15-002263	29Jan2015	MV	PH



Relay - bottom view



**AXICOM**  
**D2n\***  
**zzV DC** **us**  
**V23105A5xxxA201\***

xxx = Relay type  
 zz = nominal voltage  
 YYWW = Date code

alias C23303-A105-A1-\*-27

RELEASED FOR PUBLICATION

THIS DRAWING IS UNPUBLISHED.

© COPYRIGHT BY TYCO-ELECTRONICS CORPORATION. ALL RIGHTS RESERVED.

DIMENSIONS: mm  TOLERANCES UNLESS OTHERWISE SPECIFIED: DIN 7168-m 0 PLC ±- 1 PLC ± 2 PLC ± 3 PLC ± 4 PLC ± ANGLES ±	DWN	05May2004	MATERIAL	-	FINISH	-		
	CHK	05May2004						
	APVD	05May2004						
	HD9121							
PRODUCT SPEC			NAME					
APPLICATION SPEC			D2n Relays Dimensions					
WEIGHT	-	SIZE	A4	CAGE CODE	00779	DRAWING NO	C-1393792-2	
CUSTOMER DRAWING			SCALE	3:1	SHEET	1 OF 1	REV	A8